

## Hydraulic Pullers

HI-POWER PM-Series 2/3 arm Pullers, with integrated pump and cylinder



Compact, ergonomic design, easily operated by one person

◆ **Multifunctional**

HI-POWER PM-pullers are ideal for pulling a wide variety of parts, including bearings, bushings, wheels, gears and pulleys. Applications for HI-POWER PM-pullers will be found in motor repair shops, service companies, maintenance shops, industry, mining, paper mills, chemical plants, shipping, offshore, etc.

◆ **Compact**

The self contained HI-POWER hydraulic pump saves space, as you don't need a separate HI-POWER pump, hose or cylinder.

◆ **Strong**

The harder the force, the tighter the jaws grip. The arms cannot bend or deflect.

◆ **Economical**

2- or 3-arm combination puller, two pullers for the price of one, including intergrated pump and cylinder.

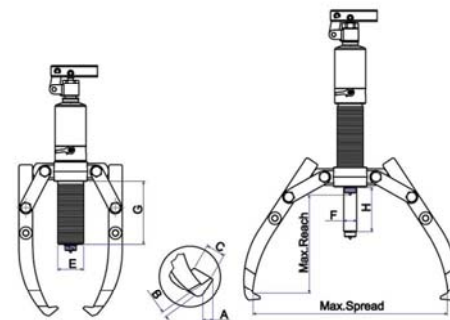
◆ **Safe**

The intergral safety release valve prevents overloading and ensures you never exceed maximum power capacity.

◆ **Versatile**

Barious accessories are available. The sets are supplied in a practical HI-POWER carry case and consist of a puller block, connecting rods and a set of bearing splitters.

4, 6, 8, 12, 20 and 30 ton capacity!



HI-POWER PM hydraulic pullers.

Model No.	Cap. ton	Art. No.	Max. Shaft length	Reach	Spread	Stroke H mm	Pump tip mm			Jaw tip mm			Weight (kg)
			(mm)	Max. (mm)	Max. (mm)		E	F	G	A	B	C	
● HI-POWER PM 400	4 Ton	791000	185	185	255	60	84	42	22	11	6	22	4.5
● HI-POWER PM 600	6 Ton	792000	220	220	330	70	122	45	25	13	10	25	6.5
● HI-POWER PM 800	8 Ton	793000	230	230	350	85	122	50	25	11	10	25	6.5
● HI-POWER PM 1200	12 Ton	794000	270	270	375	85	118	60	28	14	10	29	8.0
● HI-POWER PM 2000	20 Ton	796000	360	360	520	111	161	80	40	20	27	33	22.0
● HI-POWER PM 3000	30 Ton	797000	360	360	550	111	155	98	50	20	27	38	32.0

● HI-POWER HI-QUALITY PULLERS, ALL INCL.

● HI-POWER SAFETY NET. (SAFETY BLANKET)

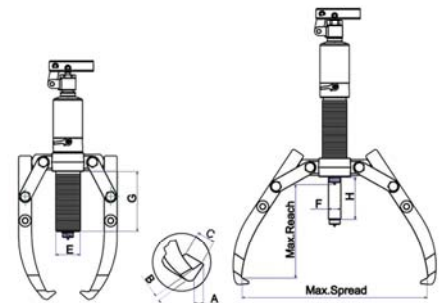
## HI-POWER PULLER 2/3 JAWS PRO PLUS PULLER & UNIVERSAL BEARING ATTACHMENT SET



HI-POWER PRO PLUS SET including puller body, jaw assembly, cross bearing, extension bar and blow molded case for practical and safe work.

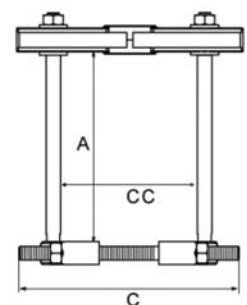
### HI-POWER PULLER PRO PLUS SET

Model No.	Capacity	Reach (Max. mm)	Reach (Min. mm)	Stroke (mm)	Pump Tip (mm)			Jaw Tip (mm)			Weight (kg)
	(ton)	A	B	H	C	D	E	A1	B1	C1	
HI-POWER PM420	4 Tons	211.5	127.5	60	42	22	84	11	6	22	4.5 / 8.5
HI-POWER PM620	6 Tons	243.5	153.5	70	45	23	90	13	10	22	5.5 / 11.5
HI-POWER PM820	8 Tons	243.5	121.5	85	50	25	122	11	10	25	6.5 / 12.6
HI-POWER PM1220	12 Tons	288	173	85	60	28	115	14	10	29	8.0 / 18.0



### SPECIFICATION HI-POWER Bearing attachment cross bearing set. (INCLUDING IN SET)

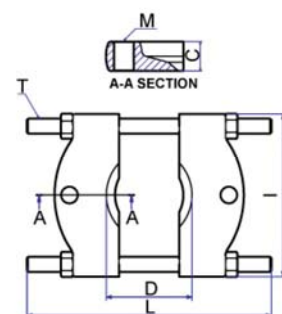
Model No.	Capacity	A (mm)	D (mm)	C (mm)	CC (mm)	Thread	Bearing Attachment	Weight (kgs)
	(ton)	Min-Max.	Min-Max.	Min-Max.	(inch)			
HI-POWER P412	4 tons	224	12-70	163	100-145	1/2"- 13UNC		6.5
HI-POWER P612	6 tons	255	28-150	260	115-220	5/8"- 11UNC	HYC9025	10.5
HI-POWER P812	8 tons	255	28-150	260	110-230	5/8"- 11UNC	HYC9025	11.5
HI-POWER P1212	12 tons	298	20-200	360	140-310	3/4"- 10UNC	HYC9035	20.0



\* Excluding the hydraulic pump body.

### TECHNICAL DATA HI-POWER Bearing Attachments (INCLUDING IN SET)

Model No.	D Min-Max.	C	L	I	ØT	ØM	Weight (kgs)
	(mm)	(mm)	(mm)	(mm)	(inch)	(inch)	
HI-POWER HYC9005	5-60	17	120	92	3/8-24UNF	3/8-16UNC	0.7
HI-POWER HYC9010	15-60	20	135	130	1/2-20UNF	3/8-16UNC	1.5
HI-POWER HYC9015	12-70	27	165	156	5/8-18UNF	1/2-12UNC	2.6
HI-POWER HYC9025	28-150	33	275	207	3/4-16UNF	5/8-11UNC	5.0
HI-POWER HYC9035	20-200	38.5	350	240	1-14UN	3/4-10UNC	10.0
HI-POWER HYC9035A	20-200	38.5	350	240	1-14UN	1/14UN	11.0





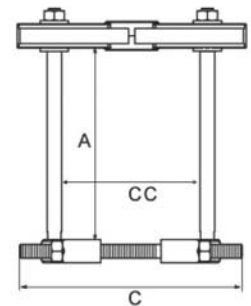
## Universal Bearing Attachments Cross Bearing Pullers

- Precise hydraulic control allows fast, efficient and safe pulling
- Quick set-up to tackle a variety application.
- Forged of high strength steel alloy.
- Heat treated, chrome plated for rust proof and durable life.
- Wedge-shaped edges allow removal of the most hard-to-grip components.
- HI-POWER Cross bearing pullers are easy to be applied on the most difficult parts for fast and efficient removal.



### SPECIFICATION HI-POWER Bearing attachment cross bearing set. (Accessories)

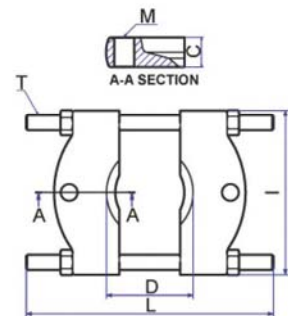
Model No.	Capacity	A (mm)	D (mm)	C (mm)	CC (mm)	Thread	Bearing Attachment	Weight (kgs)
	(ton)	Min-Max.	Min-Max.	Min-Max.	(inch)			
HI-POWER P412	4 tons	224	12-70	163	100-145	1/2"- 13UNC		6.5
HI-POWER P612	6 tons	255	28-150	260	115-220	5/8"- 11UNC	HYC9025	10.5
HI-POWER P812	8 tons	255	28-150	260	110-230	5/8"- 11UNC	HYC9025	11.5
HI-POWER P1212	12 tons	298	20-200	360	140-310	3/4"- 10UNC	HYC9035	20.0



\* Excluding the hydraulic pump body.

### TECHNICAL DATA HI-POWER Bearing Attachments (Accessories)

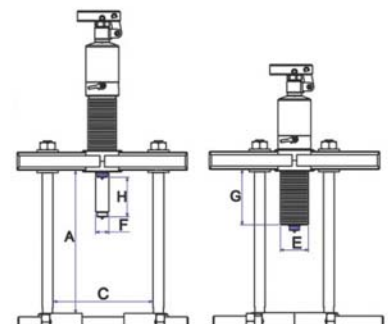
Model No.	D	C	L	I	ØT	ØM	Weight (kgs)
	Min-Max. (mm)	(mm)	(mm)	(mm)	(inch)	(inch)	
HI-POWER HYC9005	5-60	17	120	92	3/8-24UNF	3/8-16UNC	0.7
HI-POWER HYC9010	15-60	20	135	130	1/2-20UNF	3/8-16UNC	1.5
HI-POWER HYC9015	12-70	27	165	156	5/8-18UNF	1/2-12UNC	2.6
HI-POWER HYC9025	28-150	33	275	207	3/4-16UNF	5/8-11UNC	5.0
HI-POWER HYC9035	20-200	38.5	350	240	1-14UN	3/4-10UNC	10.0
HI-POWER HYC9035A	20-200	38.5	350	240	1-14UN	1/14UN	11.0



### SPECIFICATION HI-POWER Cross Bearing Pullers, Bearing splitter. pro set

HI-POWER PRO SET Model No.	Capacity	Reach (Max. Mm)	Spread (Max. mm)	Stroke (mm)	Inner Dia. Min/max	Pump Tip		
	(ton)	A	C	H		E	F	G
HI-POWER PM410	4 tons	224	145	60	Ø 15-100	42	22	84
HI-POWER PM610	6 tons	255	220	70	Ø 25-180	45	23	90
HI-POWER PM810	8 tons	255	230	85	Ø 40-220	50	25	122
HI-POWER PM1210	12 tons	298	310	85	Ø 45-290	60	28	115

\* Including the hydraulic pump body and bearing attachment.



## HI-POWER Tri Section Plate



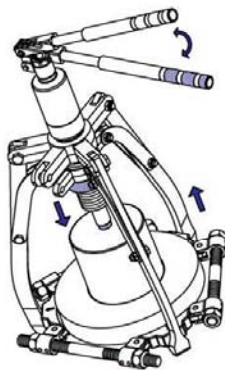
Spreading - Rear Side



Spreading - Front Side



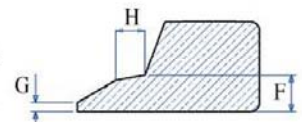
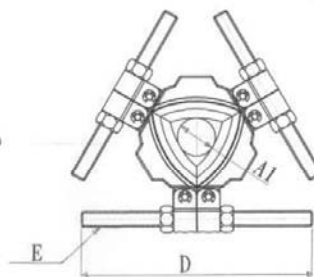
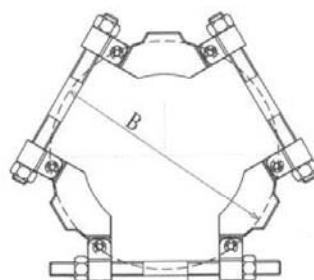
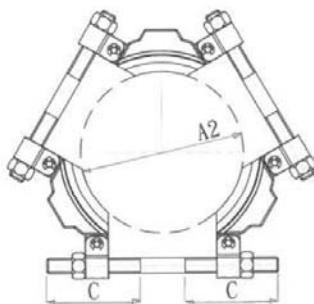
Swivel design creates wider spread.



Easy Operating

### USER-FRIENDLY & SAFE

- Unique & patented swivel design creates the max. spread.
- The tri-section construction provides the even force distribution, preventing bearing from locking and/or tilting on the shaft during dismantling.
- Suitable for combination usage with all three-armed hydraulic pullers.
- Available in a wide range, covering the most common shaft sizes.
- The firm grip behind inner and outer rings of bearing ensures the pulling force being transmitted through the moving parts and preventing the damaging of bearing.



### SPECIFICATIONS ( mm )

Model No.	Available Shaft Dia.		Spread B (Max.)	C	D	E	F	G	H	Capacity (Ton)	Weight (kg)
	A1	A2									
T3-60	26	160	216	105	240	5/8"-11UNC	8	2	6.5	6	3.5
T3-210	50	210	280	117	285	7/8"-14UNF	10	2	9	8	5.5
T3-340	90	340	460	175	430	1 1/4"-12UNF	14	2	8	20	18
T3-495	140	495	660	235	610	1 3/4"-12UNF	20	2	12	30	45